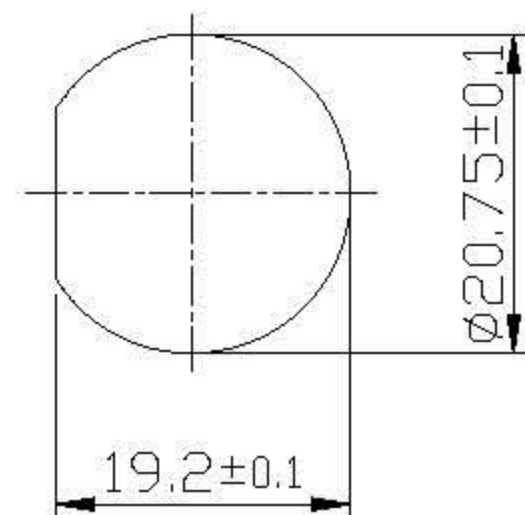


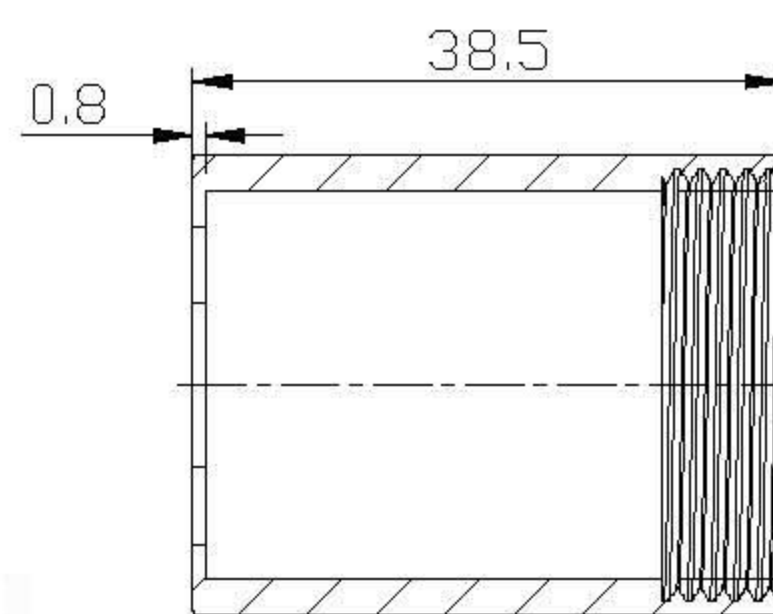
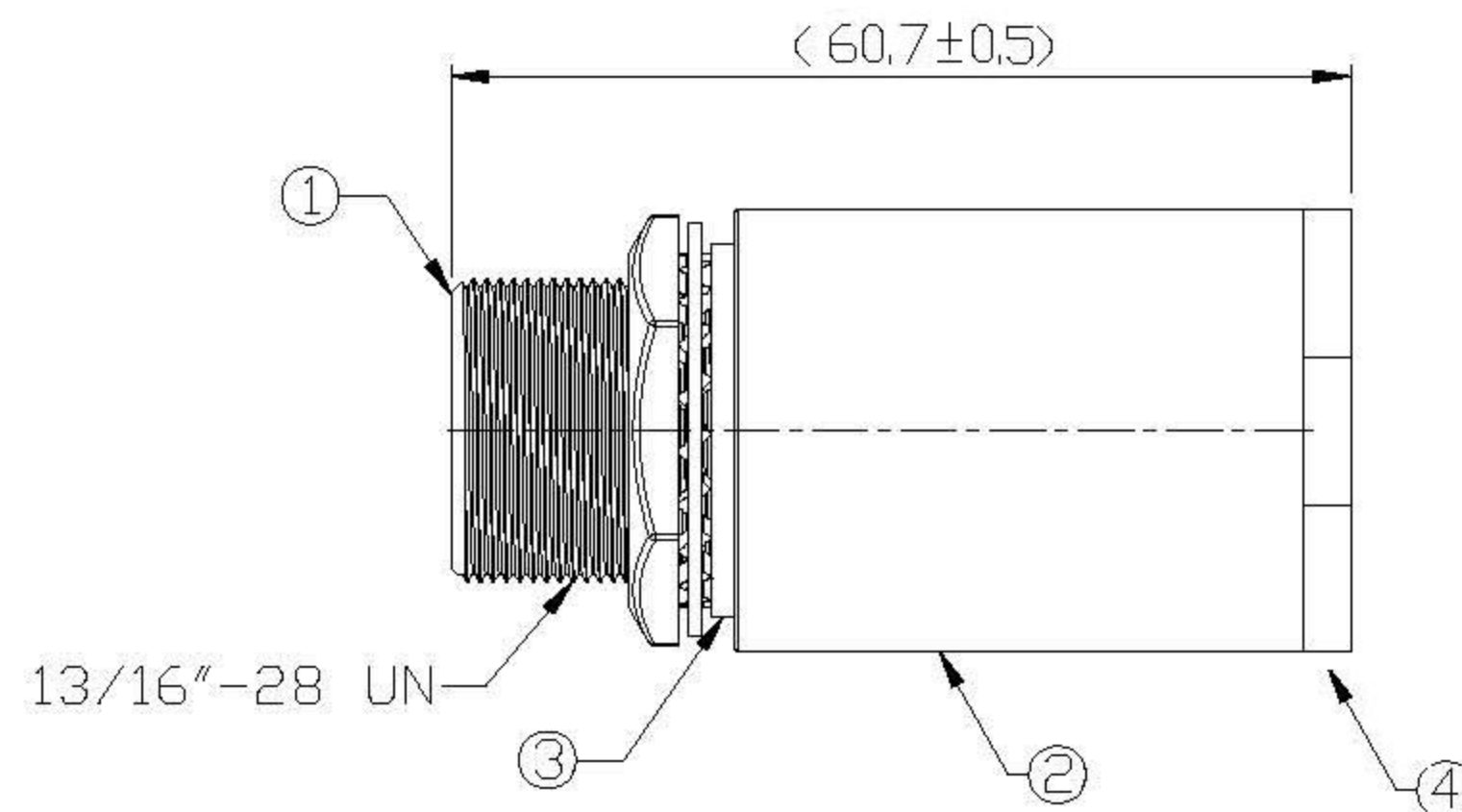
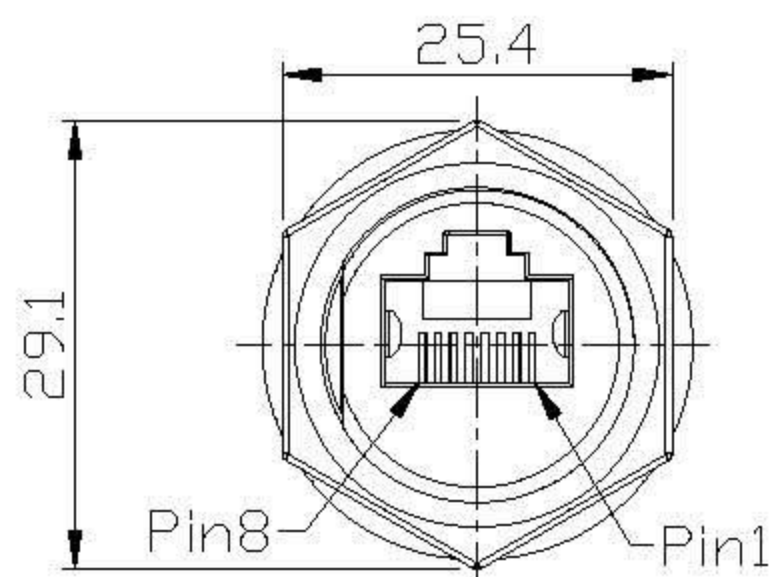
Notes: (Unless Otherwise Specified)

1. Waterproof Rate: IP68.
2. Recommend Panel Thickness: 0.8 to 5.0 mm.
3. Recommend Torque: 19~20 Kgf-cm.
4. Mating Cap P/N: SRT2C213012/SRT886611-01/SRT886622-01
5. RoHS Compliant.

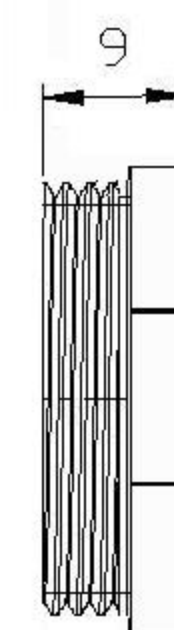
REV	ECN#	DESCRIPTION OF REVISION	DRAW BY DATE	CHECK BY DATE	APPROVE BY DATE
01			Joyce 05/17/12	Lucas 05/17/12	Ray 05/17/12



Recommend Panel Cut-Out



Metal Cover



Gland Nut

Item	Part Name	Material / Finish	Q'ty
4	Gland Nut	Copper Alloy Finish: Ni Plated	1
3	Gasket	Silicone Color: Black	1
2	Metal Cover	Copper Alloy Finish: Ni Plated	1
1	GT226300-30	RJ45 Metal C3 Shielded Panel Jack Screw With Coupler 180°	1

TITLE RJ45 Metal C3 Shielded Panel Jack Lock With Coupler 180° +Protection Cover

DRAWING NUMBER
SRT225200-31

REV.
01



**System Integration Pro
TECH**

 DO NOT SCALE DRAWINGS THIRD ANGLE PROJECTION	B	1:1	Joyce 05/17/12	Lucas 05/17/12	Ray 05/17/12	X.X ± 0.5 X.XX ± 0.2	X.XXX ± 0.05 ANGLES ± 1°	mm	1/1
	SIZE	SCALE	DRAW / DATE	CHECK / DATE	APPROVE / DATE	TOLERANCES		UNIT	SHEET