

1

2

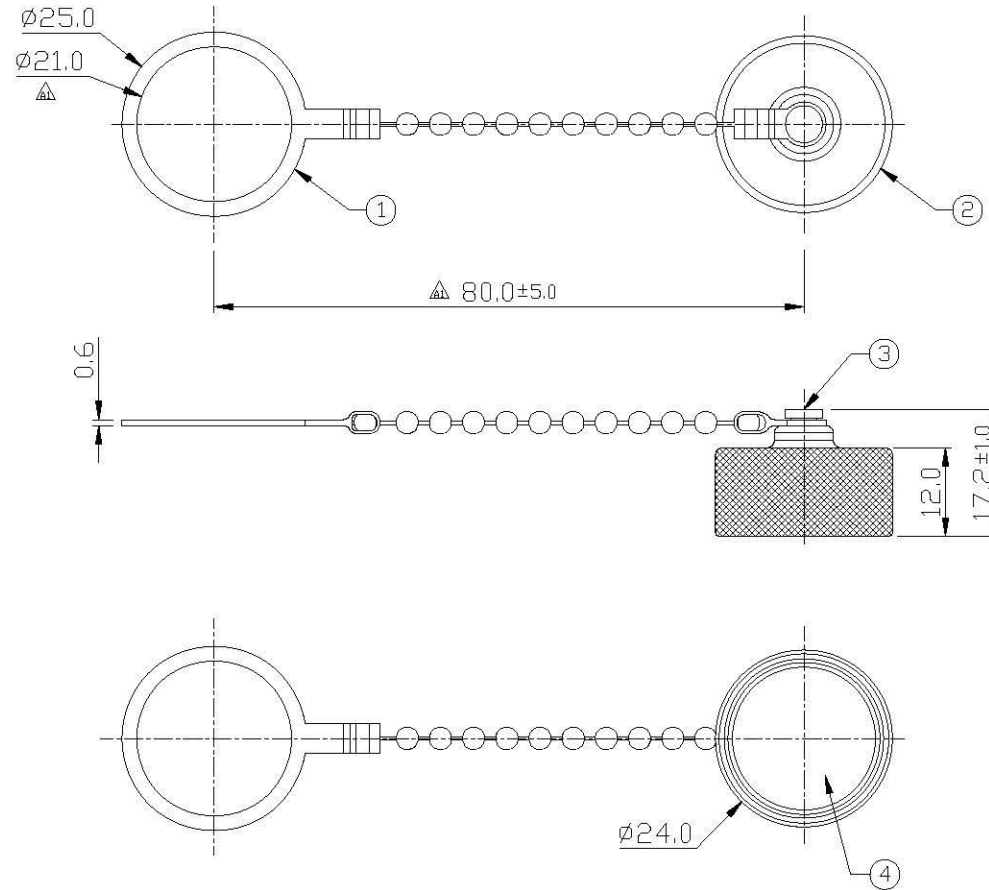
3

4

Notes: (Unless Otherwise Specified)

- 1. Waterproof Rate : IP68.
- 2. RoHS Compliance.

REV	ECN#	DESCRIPTION OF REVISION	DRAW BY DATE	CHECK BY DATE	APPROVE BY DATE



Item	Part Name	Material / Finish	Q'ty
4	Robber Pad	Silicone Color: Black	1
3	Metal Rivet	Copper Alloy Finish: Ni Plated	1
2	Metal Screw Cap	Copper Alloy Finish: Ni Plated	1
1	Metal Chain	SUS 304 Finish:-	1

TITLE						DRAWING NUMBER			REV.		
Cap Metal for RJ45 C3 Screw Panel With Metal chain						SRT2C213012			A2		
THIRD ANGLE PROJECTION	SIZE	SCALE	DRAW / DATE	CHECK / DATE	APPROVE / DATE	X.X X.XX	± 0.5 ± 0.2	X.XXX ANGLES	± 0.05 $\pm 1^\circ$	mm	1/1
						TOLERANCES			UNIT	SHEET	

**System Integration Pro
TECH**

1

2

3

4